

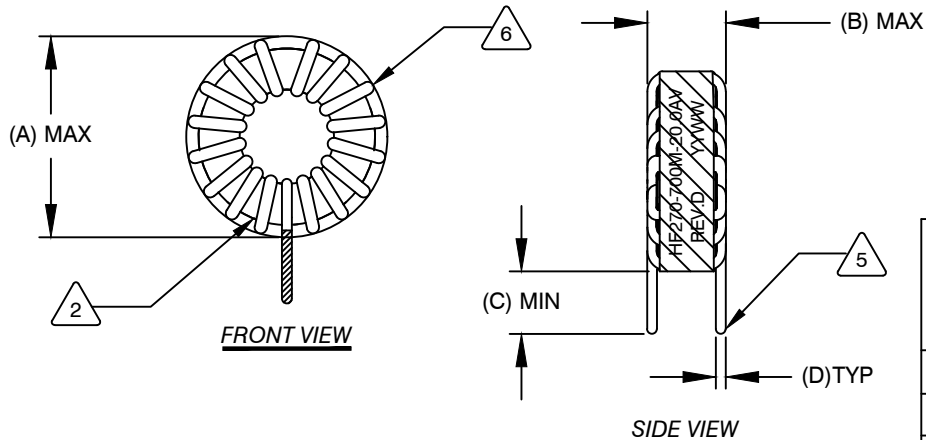
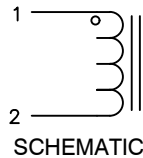
The information contained in this drawing is the sole property of CWS Coil Winding Specialist. Any reproduction in part or whole without written permission of CWS Coil Winding Specialist is prohibited.

DIMENSIONAL TOLERANCES  
INCHES [MM]

A MAX	B MAX	C MIN	D TYP	X REF
1.38 [39.43]	0.79 [20.00]	0.50 [12.70]	0.07 [1.83]	0.60 [15.24]

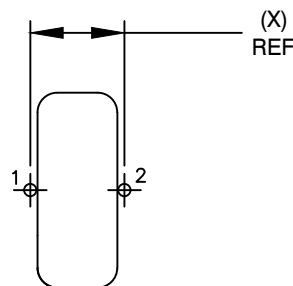
REVISION HISTORY

REV	ECN	DESCRIPTION	SIGN & DATE			
			BY	DATE	CHK	DATE
C1	—	CORRECT DIMENSIONAL TOLERANCE	TN	11/10/17	JL	11/10/17
D	—	UPDATED SPEC.	TN	07/14/2020	JL	07/14/2020



DC BIAS TABLE

DC BIAS (AMP)	L@ 1KHz (REF)
0	70uH
5	67uH
10	60uH
15	51uH
20	40uH



7 BUILD TO RoHS COMPLIANCE AND LEAD FREE.

USING A PERMANENT MARKING METHOD  
MARK PART NUMBER, REVISION AND DATE CODE  
WRAP INDUCTOR WITH 3M # 79 OR EQUAL

(I.E. COIL MUST REST FLAT ON PCB). LEADS MUST BE TANGENT TO THE CORE  
REMOVE INSULATION AND TIN LEADS 0.5 INCH, FLUSH WITH THE COIL EDGE

WIND COILS EVENLY SPACED AROUND THE CORE  
CONSTRUCTION:

THESE SPECIFICATIONS ARE BASED ON LOW RIPPLE CURRENT

WEIGHT: 58 GRAMS TYPICAL

INTERWINDING CAPACITANCE = 13pF TYP @ SRF

SRF = 5.2MHz TYP

|Z| = 4 KILO-OHMS TYP @ SRF

RECOMMENDED AMBIENT OPERATING TEMP: -40°C TO 125°C

HI-POT TEST FOR WINDING TO CORE ISOLATION = 1250 VDC, 5 SEC.

CURRENT RATING : 20 AMPS, 40°C TEMP. RISE WITH SOME AIR FLOW

DCR = 8 MILLI-OHMS MAX.

INDUCTOR DC BIAS: SEE TABLE ON THE RIGHT

INDUCTANCE = 70uH±15% @ 0 AMP DC BIAS, 1.0 KHz, 250mV

3 SPECIFICATIONS: @ 25°C:

WIRE: UL RECOGNIZED 200°C RATED MAGNET WIRE  
CORE: POWDERED TOROIDAL CORE, CWS BYTE MARK OR OTHER APPROVED PART

MATERIAL: UL RECOGNIZED 94V-0 FOR FLAMMABILITY, RATING CLASS H (180°C MIN.) REQUIRED  
ANY TOLERANCE. THIS DIM. CAN VARY A LITTLE FROM PART TO PART.

"TYP" IN DIM. TOL. TABLE REFERS TO A NON-CRITICAL TYPICAL (AVERAGE) DIM. WITHOUT

NOTES: UNLESS OTHERWISE STATED, READ NOTES FROM BOTTOM UP.

CAGE CODE: 5DME2

CODE IDENT	MFG. P/N	DESCRIPTION	ITEM NO.
<b>PARTS LIST</b>			
AUTOCAD	X	<b>COILWS COM, INC</b> www.coilws.com	CWS Coil Winding Specialist. 1510 E. Edinger Ave. Unit B. Santa Ana, CA. 92705
SOLIDWORKS			
DRAWN	TDK 2/9/04	TITLE: TOROIDAL POWER INDUCTOR 70uH, 20.0 Amps, Vertical	
CHECKED	JLAU 2/9/04		
ENGR.	KSUM 2/9/04		
APPR.	JLAU 2/9/04		
SIZE	DWG. NO.	REV	
B	HF270-700M-20.0AV	D	
SCALE	2=1	SHEET	1 OF 1

UNLESS OTHERWISE SPECIFIED	
DIMENSIONING AND TOLERANCE PER ANSI Y14.5M	
ALL DIMENSIONS ARE IN INCHES AND [MILLIMETERS].	
TOLERANCE INCHES:	∠=±0°30'
.XXX=±.005 .XX=±.015	
TOLERANCE METRICS:	∠=±0°30'
.XXX=±.127 .XX=±.38	
ANGLE PROJECTION	
DO NOT SCALE DRAWING	

CAD-FILE: